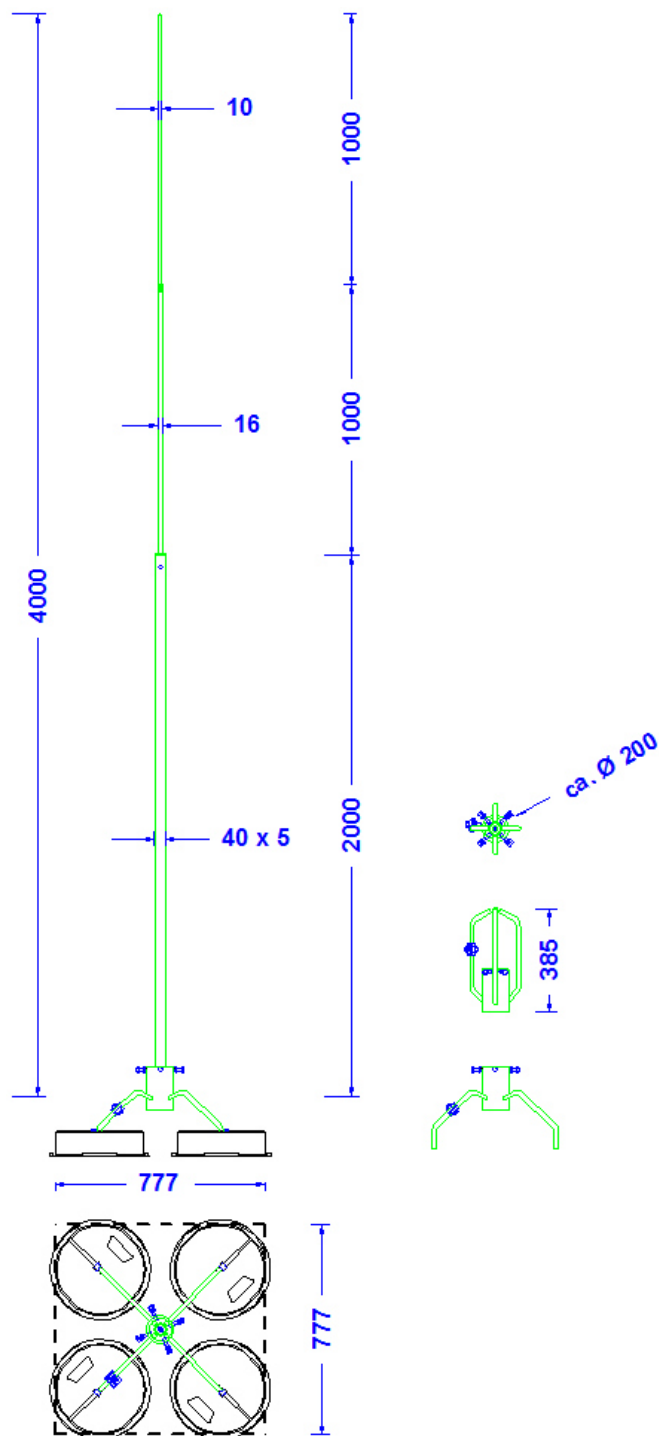
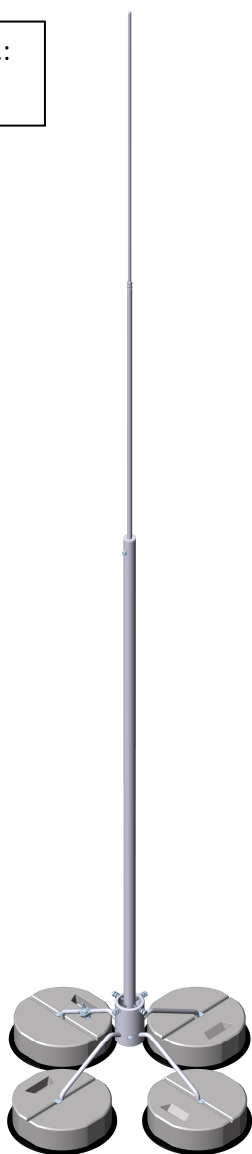


<b>Specification</b>	Aluminum Air termination mast with 4-leg "Twister" stand out of aluminum, for four concrete bases 17 kg. Height of the mast: 4,0m. Weight: 7 Kg Calculated for wind speed zones I – IV For ground category III - IV (max. gust speed 175 km/h)
<b>Article No.</b>	<b>75 02 05</b>

Customs tariff No.:  
85389099



Description	Ø	Material	Lenght	Wind speed zone	Remarks
Mast main tube	40mm	Aluminum tube	4,0m	Wind speed zone I-IV for ground category III – IV ((accord. to Euro Code 1 as well as DIN EN 1991 and DIN EN 1993. At 1,5-fold safety) Applicable for building heights below 40m und area heights below 600m above NN. Higher buildings or areas as well as icing and self-oscillation are to be considered separately if necessary.	<ol style="list-style-type: none"> <li>All connections are made of stainless steel 1.4301.</li> <li>The concrete bases and the respective protective pads are not part of the product.</li> <li>System-weight including the concrete bases: 75,0 kg.</li> <li>Surface loading rate: 75 kg/m<sup>2</sup></li> <li>Terminal clamp 8-10mm made of stainl.steel, attached.</li> <li>Technical changes reserved.</li> </ol>
Mast tip	1m 16mm, 1m 10mm	Aluminum rods	2 x 1,0m		
Stand segments		Aluminum rods 16mm Ø			
Stand central tube	100 mm	Aluminum tube	163mm		