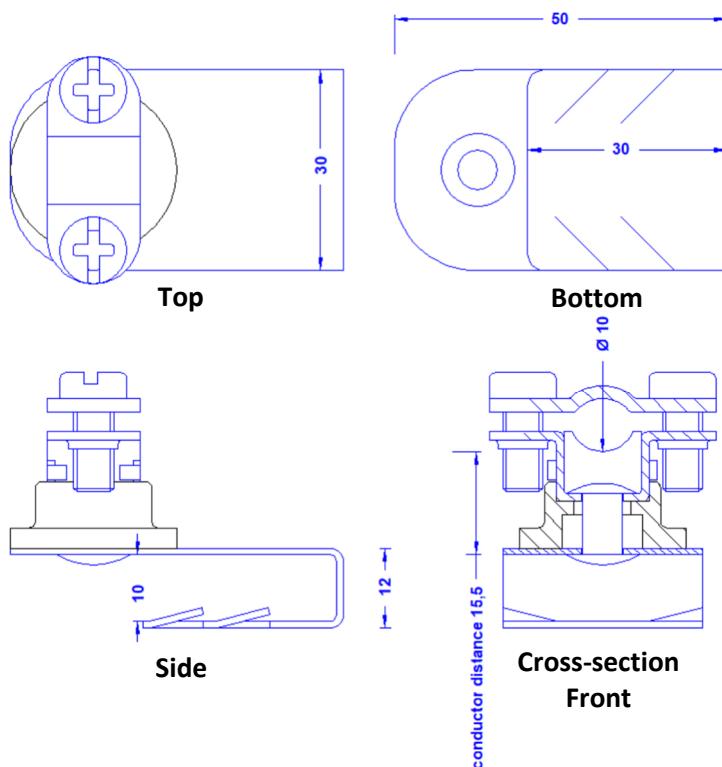
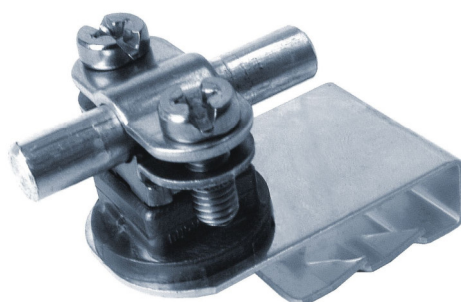


Specification	Roof tile claw made of stainless spring band 1.4310 with a stainless steel holder 8mm. for clamping on roof tiles for the conductor leading on a tiled roof. Weight: 48g Reference Standard DIN EN 62561-4.
Article No.	64 15 12

Customs tariff No.: 85389099



Description	RoHS2 (Guideline 2011/65/EU) and REACH (Regulation (EG) No.1907/2006): The substance-requirements and all other requirements of this regulations are observed by this product.
Material of the claw	Stainless spring-band steel 1.4310
Material the holder / the base	Stainless steel 1.4301 / Polyamide, silver coloured.
Rivet	6x6,5mm stainless steel
Screws	2 x DIN84M6X14 stainless steel
Clamping range of the claw	8-10mm
Conductor leading of the stainless steel holder	8mm