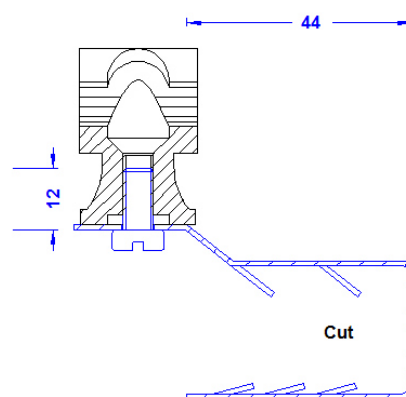
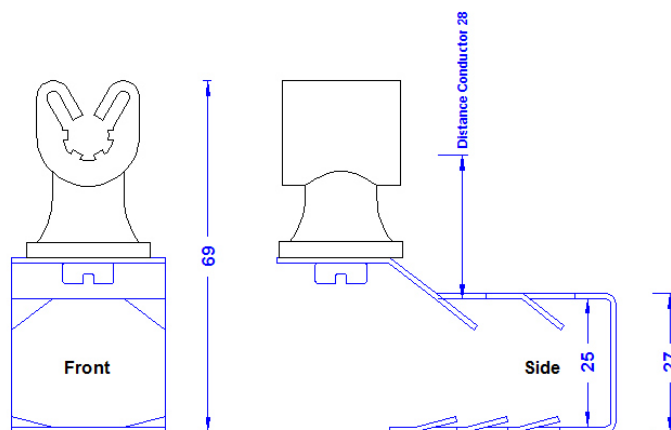
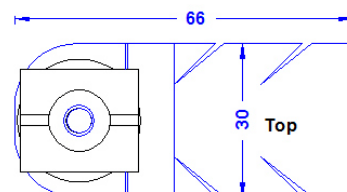
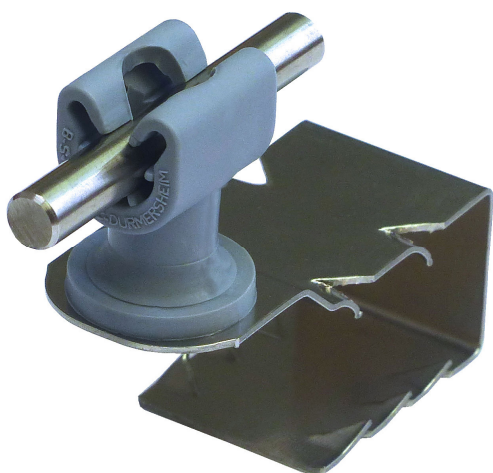


<b>Specification</b>	<p>Roof tile claw made of stainless spring band steel 1.4310 with Nylon-Duplo-Holder 8mm.</p> <p>Weight: 42,0g</p> <p>Reference Standard: DIN EN 62561-4.</p>
<b>Article No.</b>	64 09 33

Customs tariff No.: 85389099



<b>Description</b>	RoHS2 (Guideline 2011/65/EU) and REACH (Regulation (EG) No.1907/2006): The substance-requirements and all other requirements of this regulations are observed by this product.
Material of the claw	Stainless spring band steel 1.4310
Material of the holder	Nylon. UV-stabilized, cold impact resistant, halogen-free. Colour: RAL 7000 (grey). To be applied till 5 degree Celsius.
Screw	DIN84M6X12 stainless steel
Clamping range of the claw	20-25mm
Conductor leading of the nylon holder	8mm