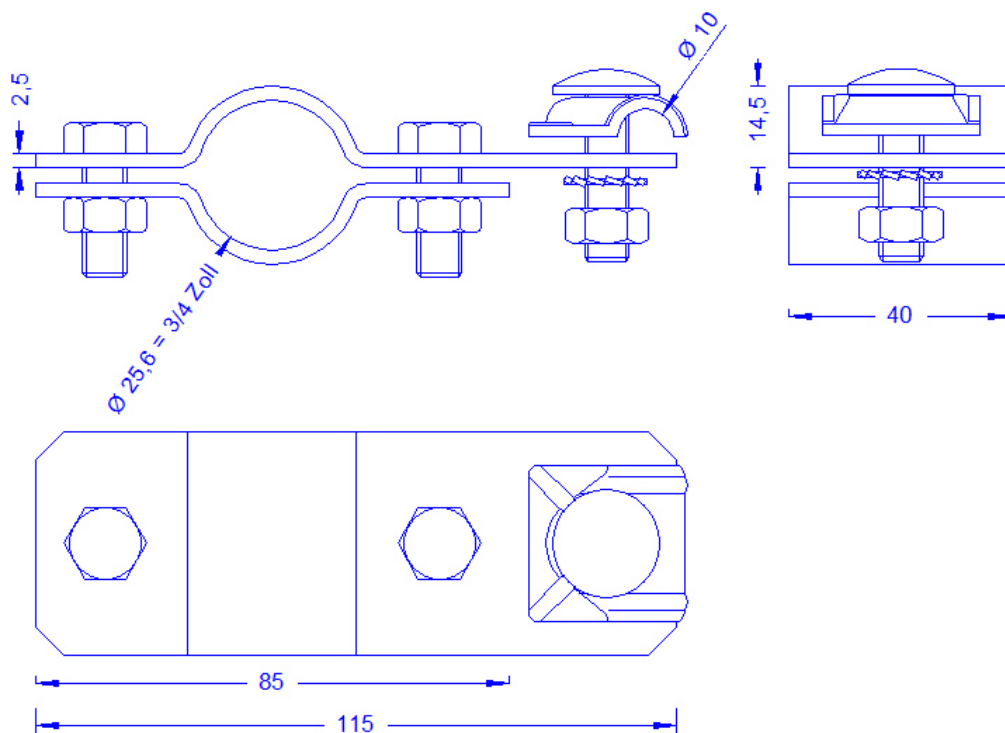
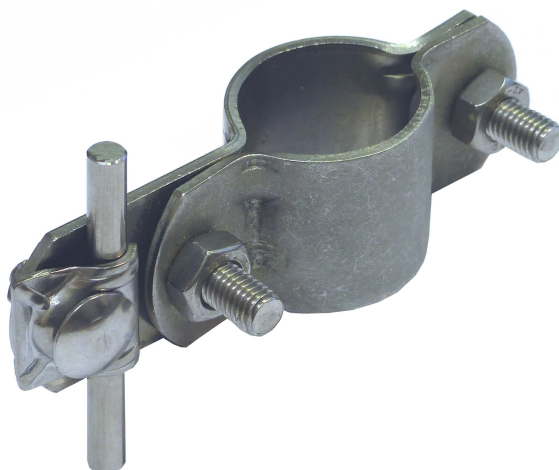


| | |
|----------------------|---|
| Specification | Water pipe clamp, 3/4 inch, 40mm wide with a stainless steel screw connection. Made of stainless steel. Weight: 225g Reference Standard DIN EN 62561-1 + DIN48818 |
| Article No. | 53 03 11 |

Customs tariff No.: 85389099



| | |
|--|--|
| Description | RoHS2 (Guideline 2011/65/EU) and REACH (Regulation (EG) No.1907/2006): The substance-requirements and all other requirements of this regulations are observed by this product. |
| Material of the clamp | Stainless steel 1.4301. |
| For pipe diameter | 3/4 inch (= 25,6mm Ø) |
| Clamping part | For wire Ø 8-10mm made of stainless steel 1.4301 |
| Screws/nuts/serrated washer (all made of stainless steel) | 1 x DIN603M8X25; 2 x DIN933M8X20 / 3 x DIN934M8/ 2 x DIN6798A-8,4 |