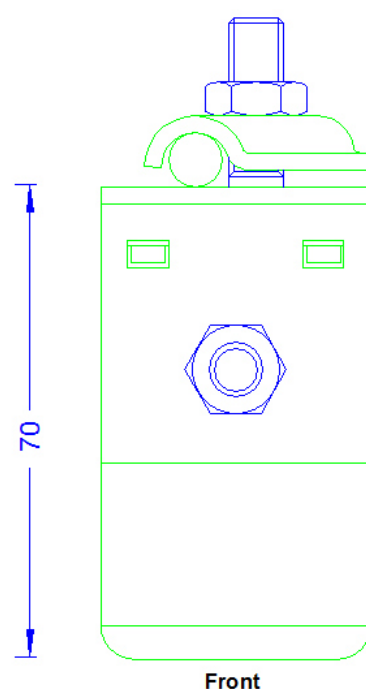
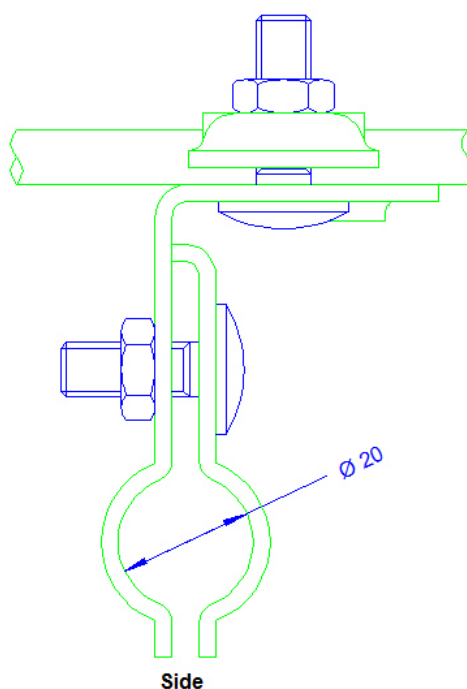
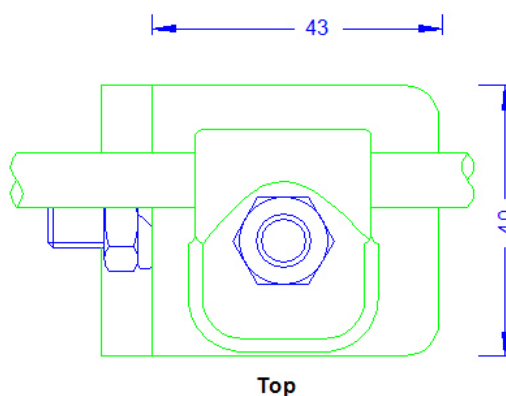
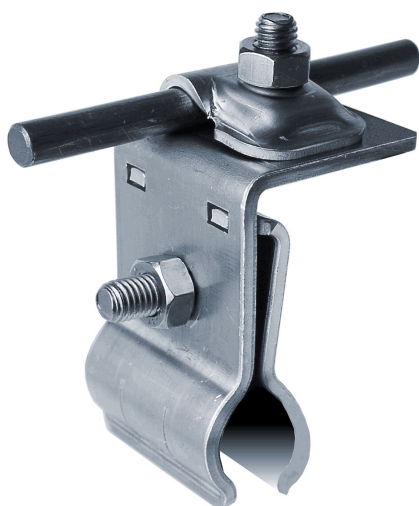


Specification	Metal-roof -conductor-holder for 6-10mm Ø conductor. Conductor distance 40mm, with clamping bock, for Kalzip-roof with 20-25mm Ø bead. Screw connections in stainless steel. Aluminum. Weight: 100g Reference Standard: DIN EN 62561-1
Article No.	51 21 30

Customs tariff No.: 85389099



Description	RoHS2 (Guideline 2011/65/EU) and REACH (Regulation (EG) No.1907/2006): The substance-requirements and all other requirements of this regulations are observed by this product.
Material of the clamp	Aluminum
Screws/Nuts (all stainless steel))	2 x DIN603M8X25/ 2 x DIN934M8.
Clamping for Flat-roof-form	Kalzip-roof, bead 20-25mm Ø
Conductor leading	6-10mm