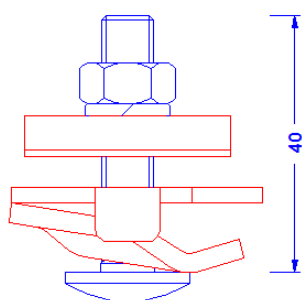
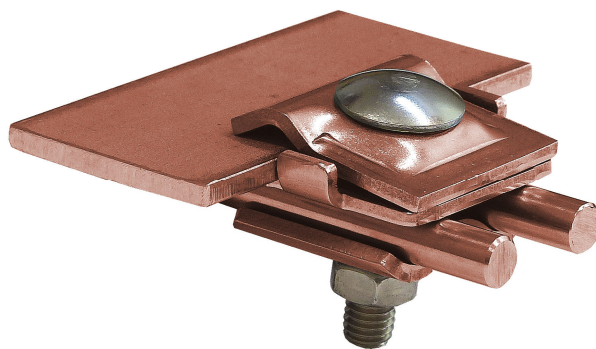
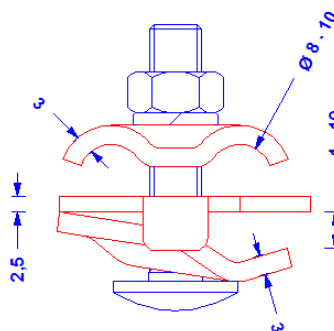


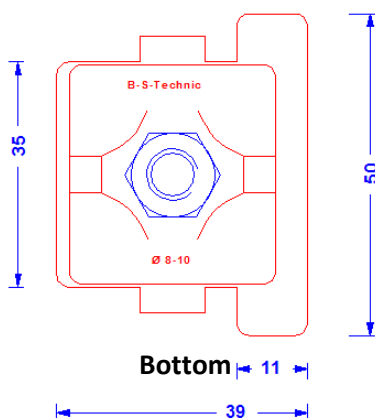
Specification	Saddle clamp for 8-10mm conductor, with a pivotable double clamp. Clamping range (on the seam) 1-10mm. Out of copper. Weight: 110g Reference standard DIN EN 62561-1.
Article No.	51 07 23



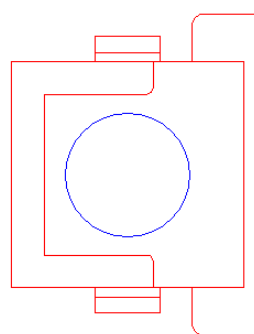
Side view 01



Side view 02



Bottom



Top

Description	RoHS2 (Guideline 2011/65/EU) and REACH (Regulation (EG) No.1907/2006): The substance-requirements and all other requirements of these regulations are observed by this product.
Material of the clamp	Copper
Screw/Nut/Spring washer (all stainless steel)	DIN603M8X40/DIN934M8/8mm
Material of the intermediate plate	Stainless steel, copper plated.
Clamping range (seam)	8,0 – 10,0mm
Conductor leading	6-8mm