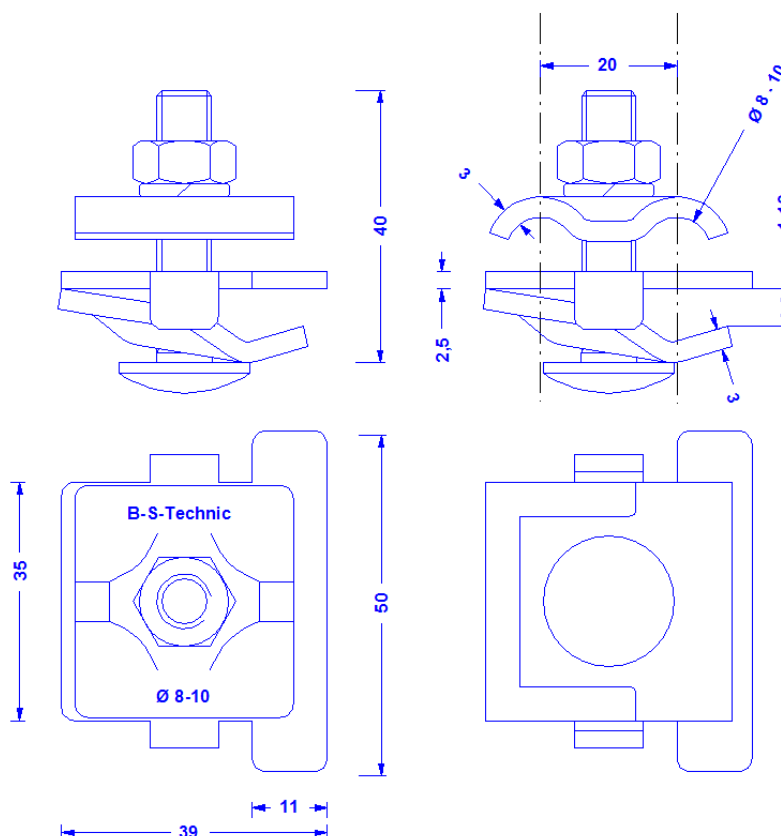
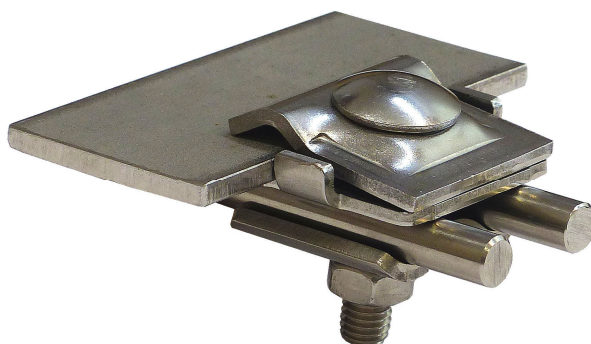


Specification	Saddle clamp for 8-10mm conductor, with a pivotable double clamp. Clamping range (on the seam) 1-10mm. Out of Stainless steel. Weight: 108g Reference standard DIN EN 62561-1
Article No.	51 07 13

Customs tariff No.: 85389099



Description	RoHS2 (Guideline 2011/65/EU) and REACH (Regulation (EG) No.1907/2006): The substance-requirements and all other requirements of these regulations are observed by this product.
Material of the clamp	Stainless steel 1.4301
Screw/Nut/Spring washer (all stainless steel)	DIN603M8X40/DIN934M8/8mm
Clamping range (seam)	1 – 10,0mm
Conductor leading	2 x 6-10mm