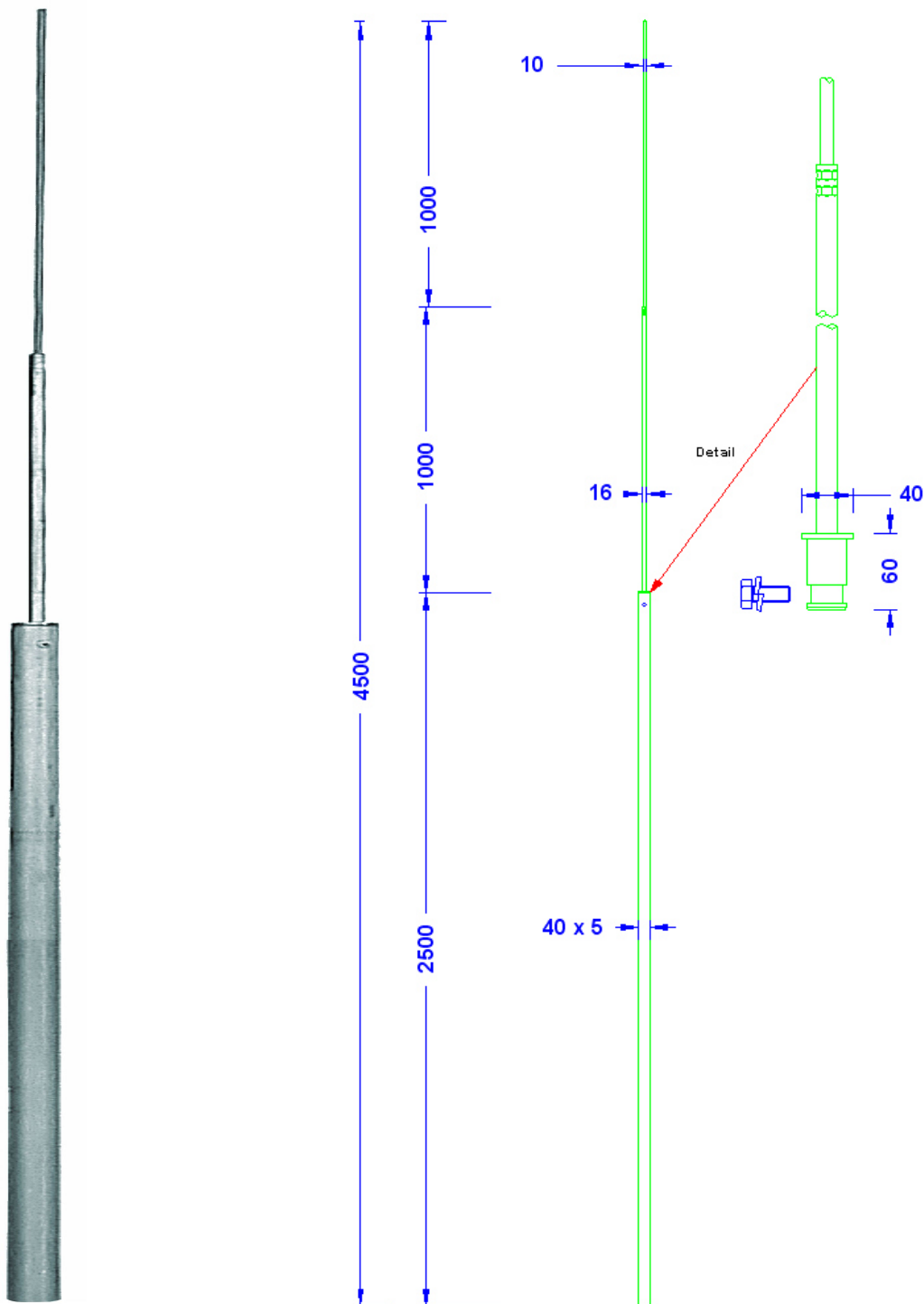


Specification	Aluminum air termination mast 4,5m high. 3-part. Bolted and press-fitted. Weight: 4,4 kg
Article No.	48 33 04

Customs tariff No.: 85389099



Description	Ø	Material	Length	Remarks
Mast main tube	40mm	Aluminium tube 40x5mm	2,5m	1. Screw: DIN933M8X10A2 2. Aluminum insert inside the tube with 16mm thread for the lightning rod. 3. System weight: 4,4 kg.
Mast tip	1m 16mm, 1m 10mm	Aluminium rods	2 x 1m	