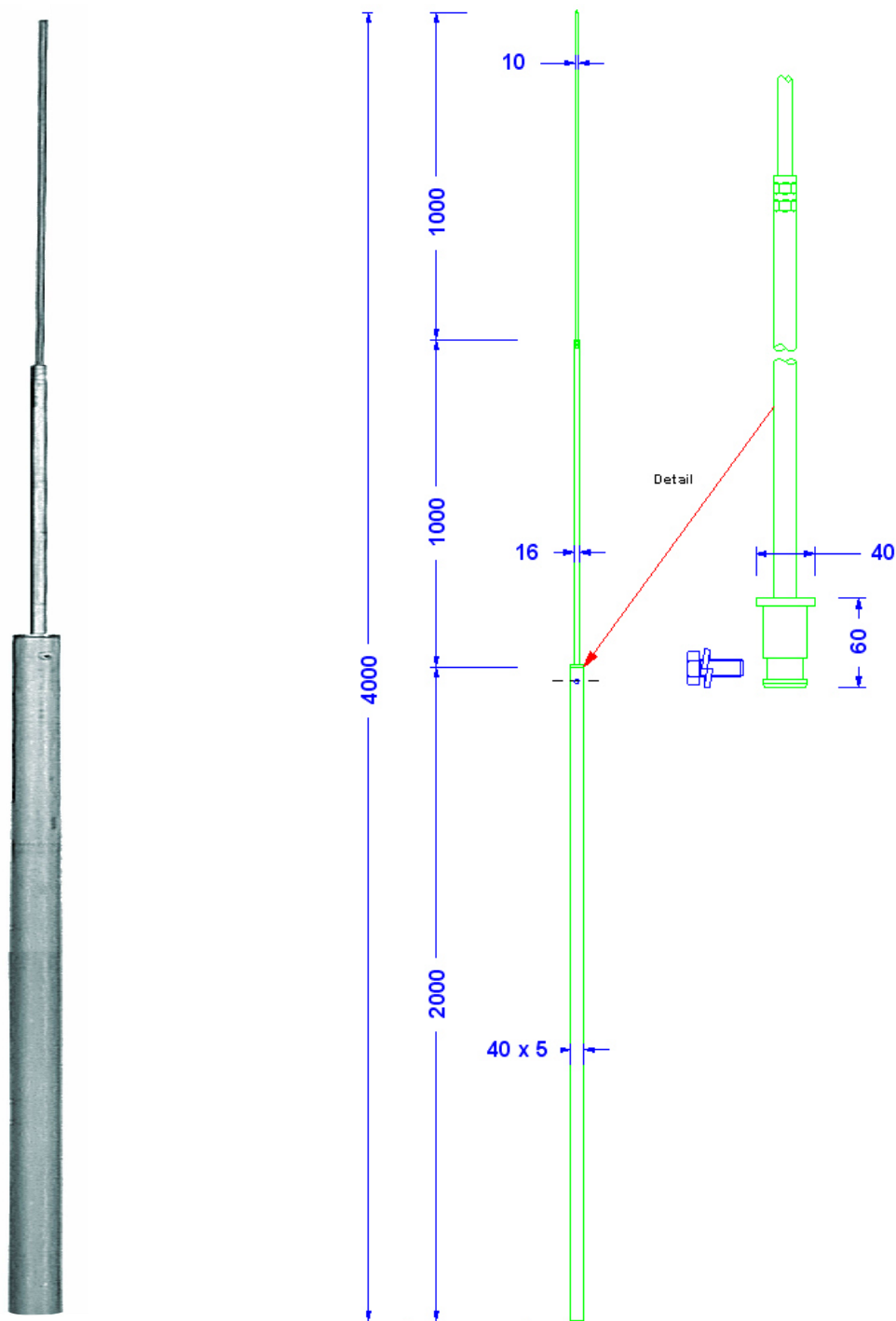


<b>Specification</b>	Aluminum air termination mast 4,0m high. 3-part. Bolted and press-fitted. Weight: 3,9 kg
<b>Article No.</b>	<b>48 33 03</b>

Customs tariff No.: 85389099



Description	Ø	Material	Length	Remarks
<b>Mast main tube</b>	40mm	Aluminium tube 40x5mm	2,0m	1. Screw: DIN933M8X10A2 2. Aluminum insert inside the tube with 16mm thread for the lightning rod. 3. System weight: 3,9 kg.
<b>Mast tip</b>	1m 16mm, 1m 10mm	Aluminium rods	2 x 1m	