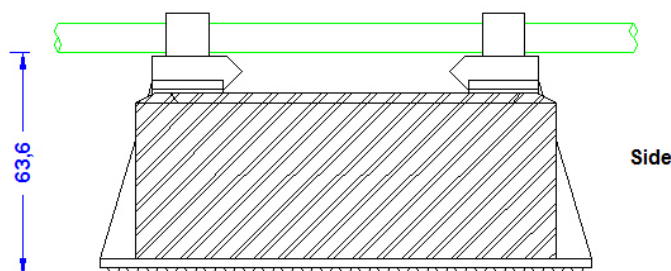
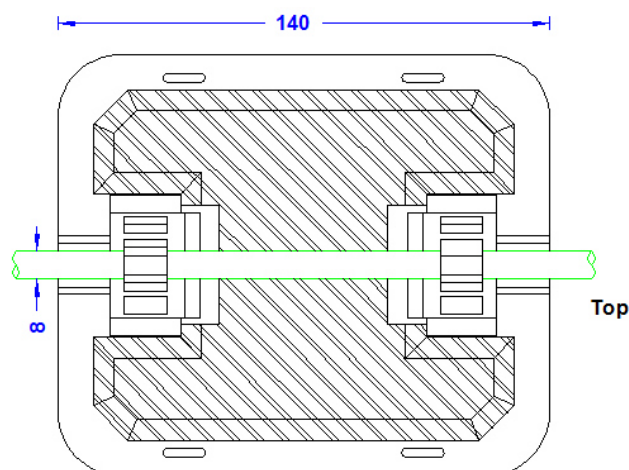
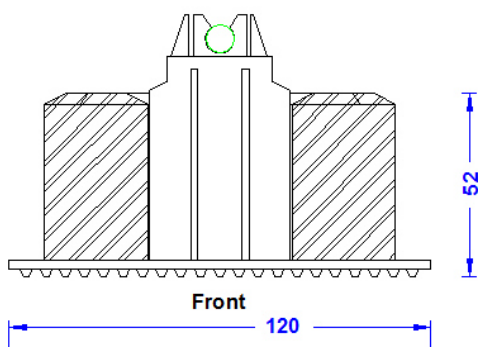


Specification	Recycle able concrete block for 8-10mm conductor. Weight: 1 kg
Article No.	45 46 16

DIN EN 62561-4:

„The fastening of holders to structures covered with tar paper, membrane and gravel roofs is not treated in the present standard due to the multitude of types which are used on modern constructions.“

For laying lightning protection wires on flat roofs.
The holdfast is just placed on the flat roof and holds by its weight.



Customs tariff No.: 85389099

Description	
Weight	1 kg
Input	8-10mm conductor
Material plastic-part	Polypropylene, black
Concrete block	1kg frost resistant concrete (DIN51202)