

<b>Specification</b>	Pyramid holdfast filled with concrete for round conductor 8mm or (with adapter) for flat conductor up to 25 x 3mm or round conductor 6mm. Black. <b>Weight: 1 kg</b>
<b>Article No.</b>	<b>45 33 20</b>

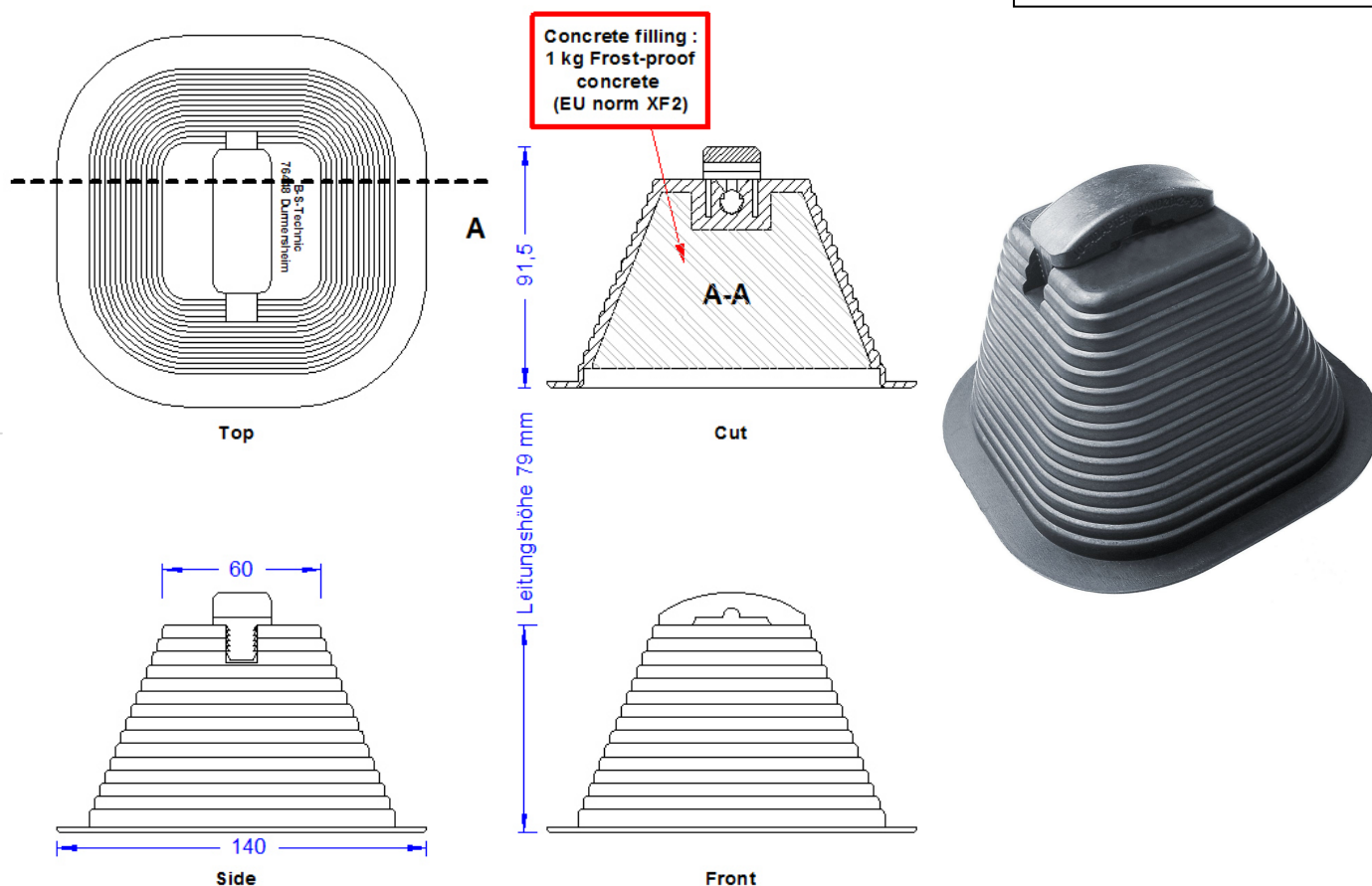
The adapter will be delivered in a separate package and will be pressed into the holdfast together with the conductor.

**DIN EN 62561-4:**

„The fastening of holders to structures covered with tar paper, membrane and gravel roofs is not treated in the present standard due to the multitude of types which are used on modern constructions.“

**For the laying of lightning-protection-conductor on flat roofs.**

Customs tariff No.: 85389099



Description	
<b>Weight</b>	<b>1 kg</b>
<b>Input (with/without adapter)</b>	<b>6 or 8 mm conductor or Flat Conductor up to 25 x 3mm</b>
<b>Material of the holdfast</b>	<b>LD-PE, black. No halogens ; UV-stabilized and cold impact resistant.</b>
<b>Adapter</b>	<b>For 6mm conductor or flat conductor up to 3 x 25mm. Glass-fiber reinforced polyamide.</b>
<b>Concrete</b>	<b>1kg frost resistant concrete. According to Euro Norm XF2.</b>