

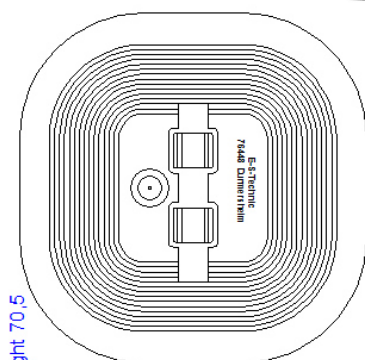
Specification	Pyramid holdfast filled with concrete, for round conductor 10mm out of polyethylene. Black. Weight: 890g
Article No.	45 26 16

Customs tariff No.: 85389099

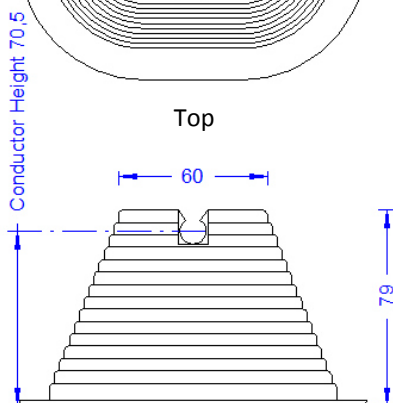
DIN EN 62561-4:

„The fastening of holders to structures covered with tar paper, membrane and gravel roofs is not treated in the present standard due to the multitude of types which are used on modern constructions.“

For the laying of lightning-protection-conductor on flat roofs.

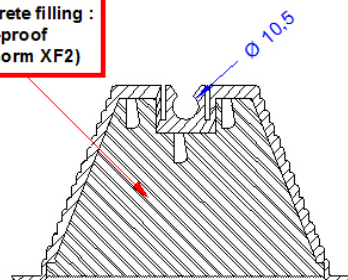


Top



Side

**1 kg Concrete filling :
Frost-proof
(EURO norm XF2)**



Cut

Description	
Weight	890g
Input	10 mm conductor
Material of the holdfast	LD-PE regrind, black. No halogens, UV-stabilized and cold impact resistant.
Concrete	1 kg frost-resistant concrete (EURO norm XF2)