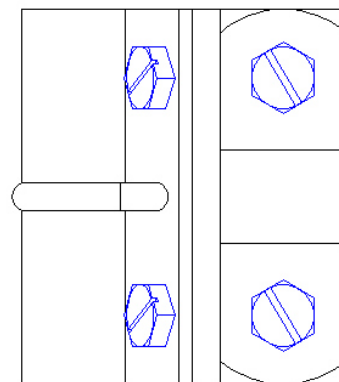
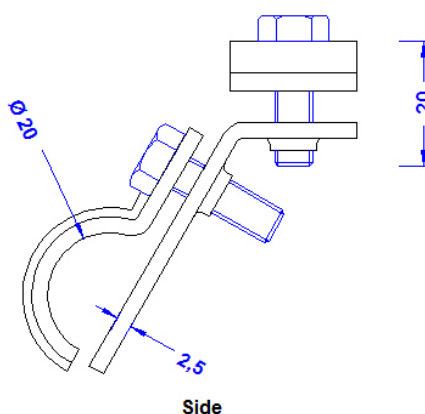
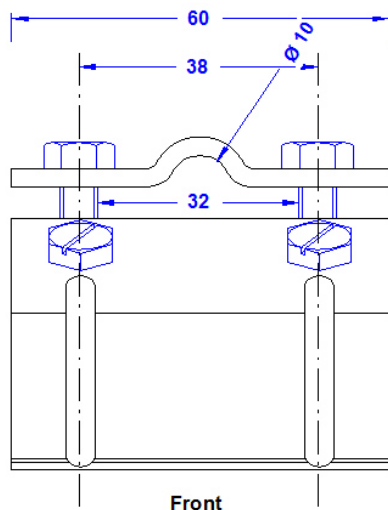
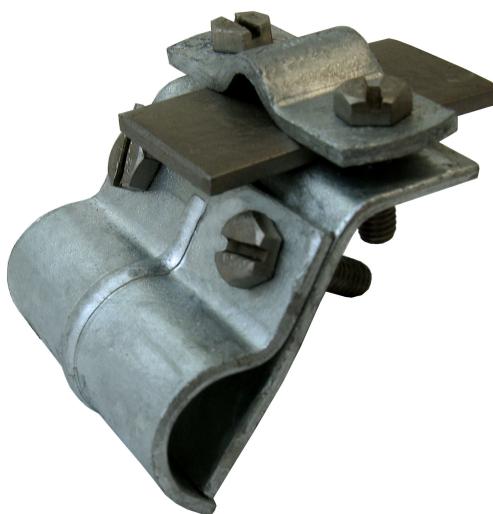


Specification	Gutter clamp for 8-10mm conductor or flat conductor till 30mm, with round bolster bracket. Made of galvanized steel Weight: 155g Reference Standard: DIN EN 62561-1.
Article No.	39 05 40

Customs tariff No.: 85389099



Description	RoHS2 (Guideline 2011/65/EU) and REACH (Regulation (EG) No.1907/2006): The substance-requirements and all other requirements of these regulations are observed by this product.
Material of the clamp	Galvanized steel
Screws	4 x DIN933M6X20 stainless steel
Leading flat conductor/round conductor	8-10mm/till 30mm