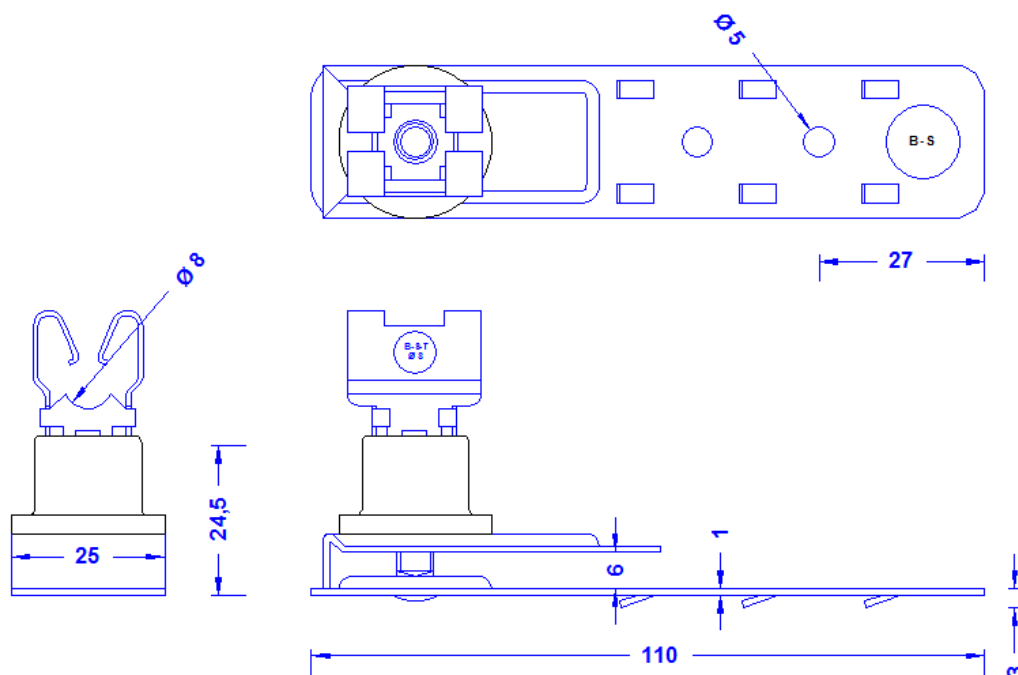
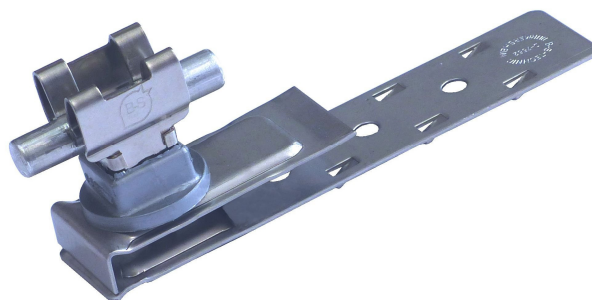


Specification	<p>Tile-clamp for 8mm conductor. Conductor height 25mm, 110mm long, with clamping part for max. 10mm tiles, with Stainless steel conductor holder. Stainless steel. Weight: 46g Reference standard: DIN EN 62561-4</p>
Article No.	29 13 11

Customs tariff No.: 85389099



Description	RoHS2 (Guideline 2011/65/EU) and REACH (Regulation (EG) No.1907/2006): The substance-requirements and all other requirements of this regulations are observed by this product.
Material of the bottom part	Stainless steel 1.4301
Material of the holder	Spring steel 1.4310
Material of the spacer	Polyamide, UV-stabilized and cold impact resistant. halogen free. Silver coloured.
Screw	DIN603M6X25 stainless steel
Clamping range	Max. 10mm
For conductor	8mm
Conductor height	25mm